

# AccuForce 12V - 100Ah | VRLA Battery



## Applications

- Uninterruptible Power Supplies (UPS)
- Electric Power Systems (EPS)
- Emergency backup power supplies
- Electronic apparatus and equipment
- Communication power supplies
- DC power supplies
- Auto control system

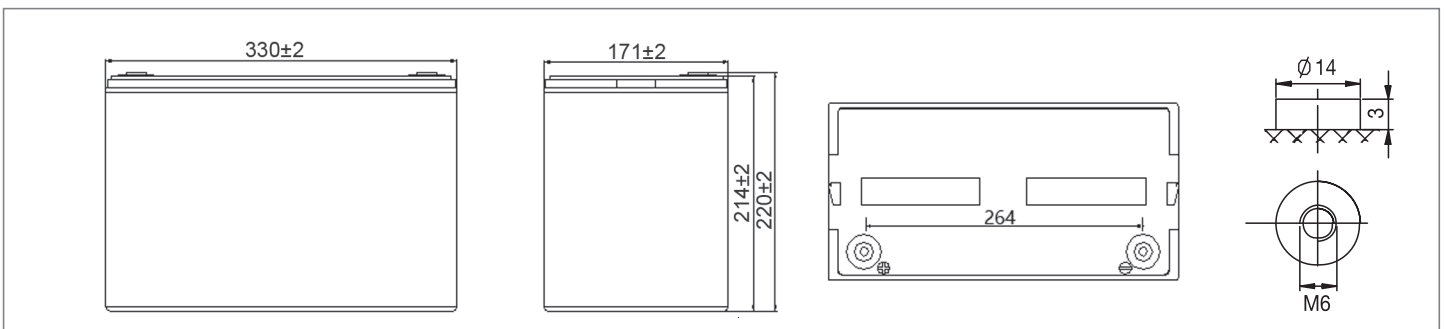
## Specifications

Nominal Voltage	12 V	
Number of cells	6	
Design Life	10 years	
Dimensions	Length	330 mm
	Width	171 mm
	Height	214 mm
	Total Height	220 mm
Approx. Weight	27.5 kg	
Nominal Capacity (25°C)	20 hours rate (5.25 A, 10.8 V)	105.0 Ah
	10 hours rate (10.00 A, 10.8 V)	100.0 Ah
	5 hours rate (17.50 A, 10.5 V)	87.5 Ah
	1 hour rate (62.00 A, 9.6 V)	62.0 Ah
Max. Discharge Current (25°C)	1000 A (5s)	
Internal Resistance	4.5 mOhms	
Fully Charged battery (25°C)	3% of capacity declined per month at 20°C (average)	
Self-Discharge	Discharge	: -15°C~50°C
	Charge	: -10°C~50°C
	Storage	: -20°C~50°C
Operating Temperature Range	2635 A	
Short Circuit Current	Boost charging voltage 2.40-2.45 Vpc	
Charging Characteristics (25°C)	Maximum charging current	30 A
	Temperature compensation	-30 mV/°C
	Float charging voltage	2.23-2.27 Vpc
	Temperature compensation	-18 mV/°C

## Battery Construction

Component	Positive Plate	Negative Plate	Container	Cover	Safety Valve	Terminal	Separator	Electrolyte
Raw material	Lead dioxide	Lead	ABS	ABS	Rubber	Copper	Fiberglass	Sulfuric acid

## Dimensions



## Constant Current Discharge (Amperes) at 25°C

End Voltage (Volts/Cell)	10min	15min	30min	1h	2h	3h	4h	5h	8h	10h	20h
1.60 V	210	165	100	62.0	36.5	25.5	20.9	17.9	12.2	10.2	5.34
1.65 V	204	161	98.0	61.1	36.3	25.4	20.8	17.7	12.2	10.2	5.33
1.70 V	195	155	95.0	59.5	36.0	25.2	20.6	17.6	12.1	10.1	5.32
1.75 V	187	150	92.7	58.3	35.5	25.0	20.5	17.5	12.0	10.1	5.29
1.80 V	176	142	89.3	56.5	34.6	24.3	19.9	17.0	11.6	10.0	5.25

## Constant Power Discharge (Watts) at 25°C

End Voltage (Volts/Cell)	10min	15min	30min	1h	2h	3h	4h	5h	8h	10h	20h
1.60 V	2268	1812	1122	707	423	300	246	211	145	122	64.1
1.65 V	2200	1768	1100	696	421	298	244	210	145	121	64.0
1.70 V	2109	1703	1066	679	417	296	243	208	144	121	63.8
1.75 V	2019	1645	1040	665	411	294	241	207	143	120	63.4
1.80 V	1905	1558	1002	645	400	285	234	201	138	119	63.0

(Note) The above characteristics data are average values obtained within three charge/discharge cycles not the minimum values.