

# SPB 12V - 65Ah | VRLA Battery



## Applications

- Uninterruptible Power Supplies (UPS)
- Electric Power Systems (EPS)
- Emergency backup power supplies
- Electronic apparatus and equipment
- Communication power supplies
- DC power supplies
- Auto control system

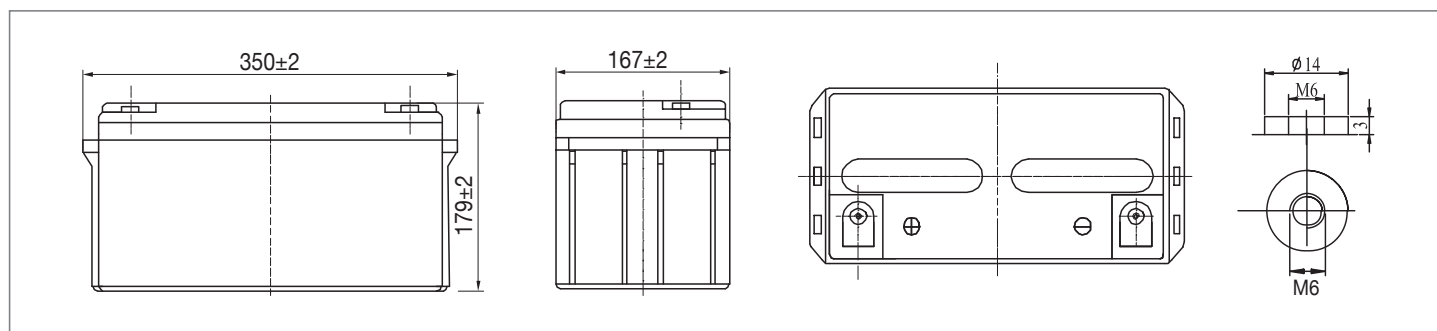
## Specifications

Nominal Voltage	12 V	
Number of cells	6	
Design Life	12 years	
Dimensions	Length	350 mm
	Width	167 mm
	Height	179 mm
	Total Height	179 mm
Approx. Weight	22.5 kg	
	20 hours rate (3.41 A, 10.8 V)	68.2 Ah
Nominal Capacity (25°C)	10 hours rate (6.50 A, 10.8 V)	65.0 Ah
	5 hours rate (11.40 A, 10.5 V)	57.0 Ah
	1 hour rate (38.70 A, 10.2 V)	38.7 Ah
Max. Discharge Current (25°C)	650 A (5s)	
Internal Resistance	6.0 mOhms	
Fully Charged battery (25°C)	3% of capacity declined per month at 25°C (average)	
Self-Discharge	Discharge	-15°C~50°C
	Charge	-10°C~50°C
	Storage	-20°C~50°C
Operating Temperature Range	2000 A	
	Boost charging voltage	2.40-2.45 Vpc
Short Circuit Current	Maximum charging current	19.5 A
	Temperature compensation	-30 mV/°C
	Float charging voltage	2.25-2.30 Vpc
	Temperature compensation	-18 mV/°C
	Temperature compensation	-18 mV/°C

## Battery Construction

Component	Positive Plate	Negative Plate	Container	Cover	Safety Valve	Terminal	Separator	Electrolyte
Raw material	Lead dioxide	Lead	ABS	ABS	Rubber	Copper	Fiberglass	Sulfuric acid

## Dimensions



## Constant Current Discharge (Amperes) at 25°C

End Voltage (Volts/Cell)	10min	15min	30min	1h	2h	3h	4h	5h	8h	10h	20h
1.60 V	132	105	63.7	40.3	23.8	16.6	13.6	11.6	7.96	6.62	3.47
1.65 V	128	103	62.4	39.7	23.6	16.5	13.5	11.5	7.91	6.60	3.47
1.70 V	123	98.8	60.5	38.7	23.4	16.4	13.4	11.5	7.85	6.58	3.46
1.75 V	118	95.4	59.0	37.9	23.0	16.3	13.3	11.4	7.80	6.55	3.44
1.80 V	111	90.4	56.9	36.8	22.5	15.8	12.9	11.0	7.57	6.50	3.41

## Constant Power Discharge (Watts) at 25°C

End Voltage (Volts/Cell)	10min	15min	30min	1h	2h	3h	4h	5h	8h	10h	20h
1.60 V	1430	1154	715	459	275	195	160	137	94.5	79.0	41.7
1.65 V	1387	1126	700	453	273	194	159	136	94.0	78.9	41.6
1.70 V	1330	1085	679	441	271	192	158	135	93.3	78.6	41.5
1.75 V	1273	1048	663	432	267	191	157	134	92.7	78.2	41.2
1.80 V	1201	992	638	419	260	185	152	130	89.9	77.6	41.0

(Note) The above characteristics data are average values obtained within three charge/discharge cycles not the minimum values.