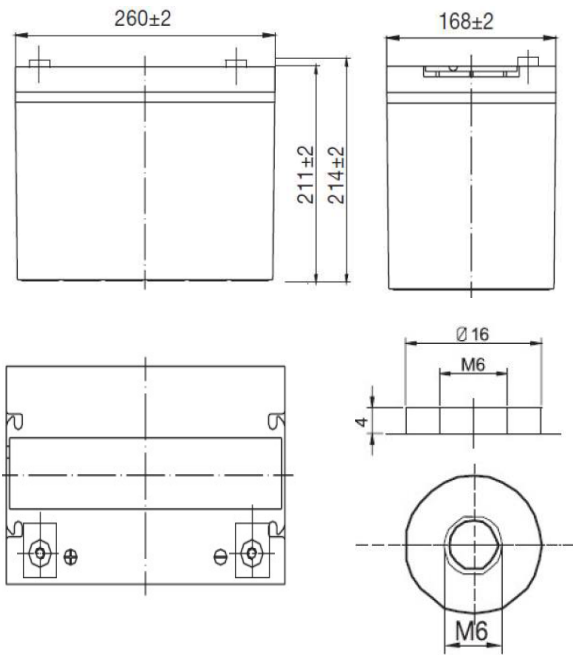


APPLICATIONS

- Solar / Wind power systems
- Residential installations
- Golf carts and electric powered vehicles
- Marine equipment
- Electric wheelchairs
- Traffic systems (signaling and lighting)
- Remote monitoring and controlling
- Power tools and cleaning machines
- Uninterruptible power supply (UPS)

SPECIFICATIONS

Nominal Voltage	12 V	
Number of cells	6	
Cycle life	Approx. 800 cycles at 50% DOD	
Dimensions	Length	260 mm
	Width	168 mm
	Height	211 mm
	Total Height	214 mm
Weight	23.0 kg	
Nominal Capacity (25°C)	120 hours rate (1.85)	96.0 Ah
	100 hours rate (1.85)	95.0 Ah
	48 hours rate (1.80)	89.3 Ah
	10 hours rate (1.80)	80.8 Ah
Internal Resistance (fully charged, 25°C)	5.50 mOhm	
Self Discharge	approx. 3% per month at 25°C	
Nominal Operating Temperature	25°C	
Operating Temperature range	Discharge	-15°C to 45°C
	Charge	0°C to 40°C
	Storage	-15°C to 40°C
Float Charging Voltage	2.27 to 2.30 V/cell at 25°C	
Temperature compensation	-18mV/°C	
Cyclic Charging Voltage	2.40 to 2.47 V/cell at 25°C	
Temperature compensation	-30mV/°C	
Maximum charging current	24.0 A	
Maximum discharge current (25°C)	850 A (5 sec.)	
Short Circuit Current (25°C)	1300 A	



PERFORMANCE DATA

Discharge Constant Current at 25°C (Amperes)

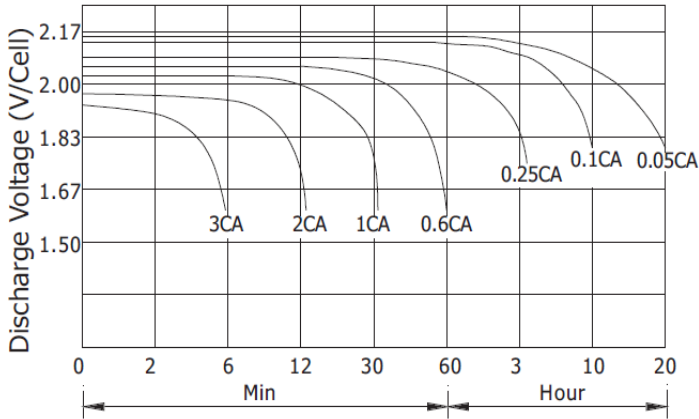
End Voltage (V/cell)	15min	30min	1h	2h	3h	4h	5h	6h	8h	10h	20h	48h	72h	100h	120h
1.60V	135	81.6	50.5	29.5	20.6	16.9	14.4	12.6	9.88	8.24	4.31	---	---	---	---
1.65V	131	80.0	49.9	29.3	20.5	16.8	14.3	12.5	9.86	8.22	4.30	---	---	---	---
1.70V	127	77.6	48.6	29.1	20.4	16.7	14.2	12.4	9.78	8.17	4.29	1.89	---	---	---
1.75V	122	75.6	47.6	28.7	20.2	16.6	14.1	12.3	9.70	8.16	4.27	1.77	1.26	---	---
1.80V	115	72.9	46.2	28.0	19.6	16.1	13.7	11.9	9.37	8.08	4.24	1.86	1.25	---	---
1.85V	108	68.7	43.3	26.3	18.4	15.0	12.9	11.2	8.81	7.60	3.99	1.75	1.18	0.95	0.80

Discharge Constant Power at 25°C (Watts/Cell)

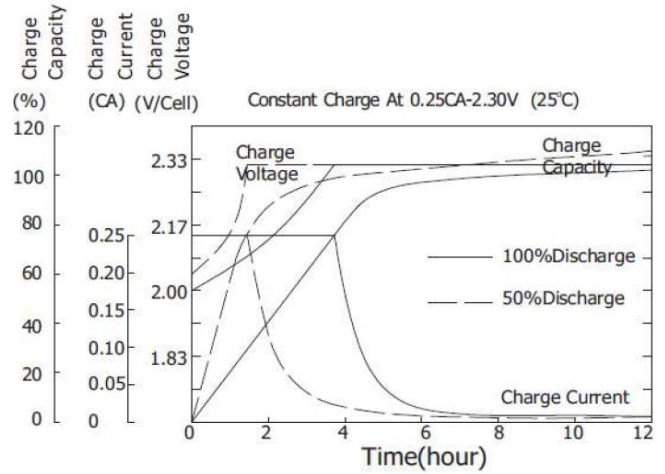
End Voltage (V/cell)	15min	30min	1h	2h	3h	4h	5h	6h	8h	10h	20h	48h	72h	100h	120h
1.60V	247	151	95.8	56.5	40.0	33.0	28.3	24.5	19.7	16.3	8.62	----	----	----	----
1.65V	241	149	94.7	56.2	39.8	32.7	28.2	24.3	19.5	16.3	8.60	----	----	----	----
1.70V	232	145	92.3	55.8	39.5	32.3	28.0	24.2	19.3	16.2	8.58	3.77	----	----	----
1.75V	224	141	90.5	55.2	39.3	32.2	27.7	23.8	19.2	16.2	8.55	3.75	2.53	----	----
1.80V	212	136	87.8	53.8	38.2	31.5	27.2	23.3	18.5	16.0	8.48	3.72	2.50	----	----
1.85V	199	128	82.5	50.5	35.8	29.5	25.5	21.9	17.3	15.1	7.98	3.50	2.35	1.90	1.60

Note: The above characteristics data can be obtained within three charge/discharge cycles.

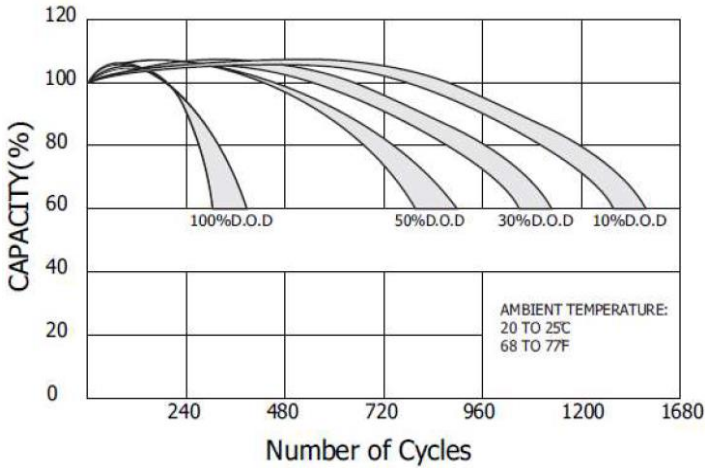
Discharge Characteristics (25°C)



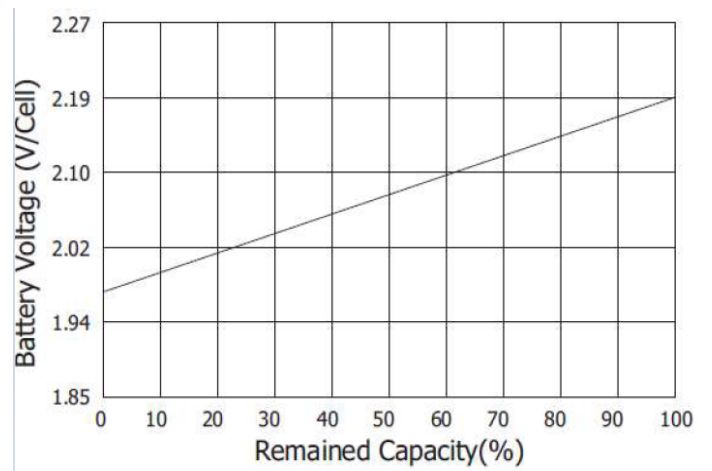
Charging Characteristics (25°C)



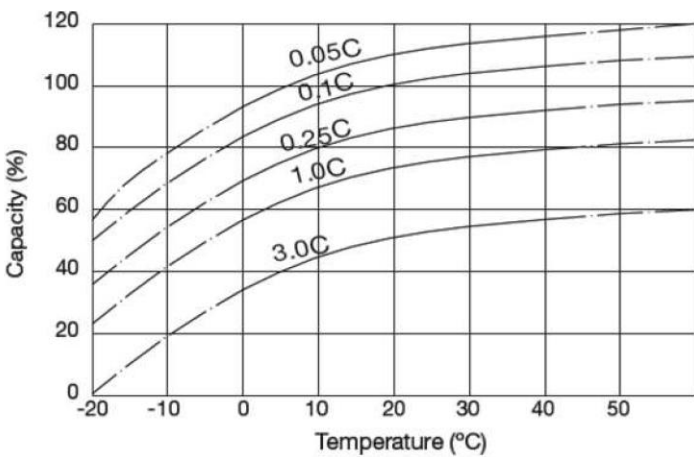
Cycle Service Life in Relation to Depth of Discharge



Relationship Between OCV and Residual Capacity (25°C)



Temperature Effects on Capacity



Self Discharge characteristics

