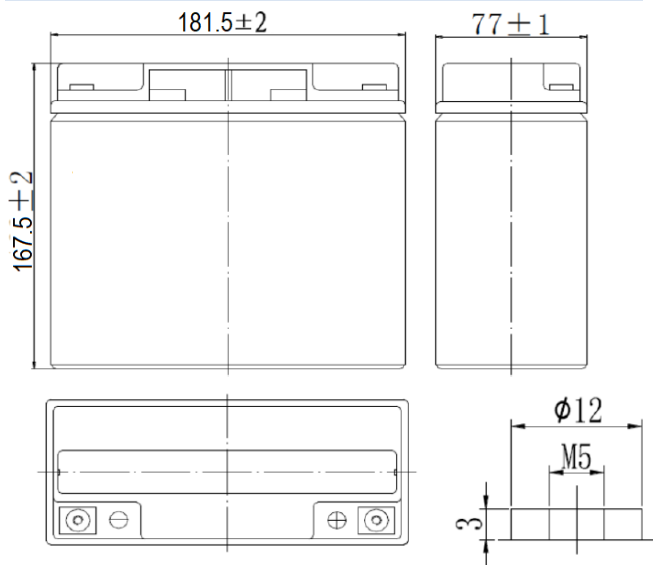


**APPLICATIONS**

- IT systems
- UPS
- Data centers
- Power generation plants and substations
- Telecommunication electrical equipments
- Switchboards
- Robots, control and other factory automation equipment
- Broadcasting systems
- Various telemeter equipments
- Signaling



**SPECIFICATIONS**

Nominal Voltage	12 V	
Number of cells	6	
Design Floating Life (20°C)	10 years	
Dimensions	Length	181.5 mm
	Width	77 mm
	Height	167.5 mm
	Total Height	167.5 mm
Weight	5.65 kg	
Watts (10 min @ 1.60 Vpc, 25°C)	111 W/Cell	
Watts (10 min @ 1.67 Vpc, 25°C)	107 W/Cell	
Capacity (10 hrs @ 1.80 Vpc, 25°C)	19.4 Ah	
Short Circuit Current	280 A	
Internal Resistance (fully charged, 25°C)	15 mOhm	
Self Discharge	approx. 3% per month at 20°C	
Nominal Operating Temperature	25°C	
Operating Temperature range	Discharge	-15°C to 45°C
	Charge	0°C to 40°C
	Storage	-15°C to 40°C
Float Charging Voltage	2.27 to 2.30 V/cell at 25°C	
Temperature compensation	-20mV/°C	
Maximum charging current	5.4 A	
Maximum discharge current (25°C)	180A (5 sec.)	

**PERFORMANCE DATA**

**Discharge Constant Current at 25°C (Amperes)**

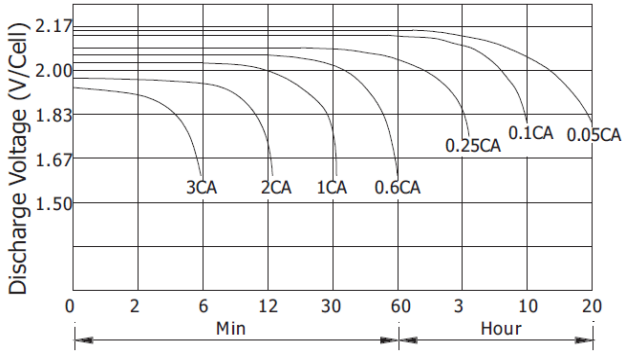
End Voltage (V/cell)	5min	10min	15min	20min	25min	30min	45min	1h	2h	3h	5h	8h	10h	20h
1.60 V	91.5	59.6	51.5	40.9	35.3	28.4	20.3	16.0	8.2	5.97	3.94	2.52	2.05	1.20
1.65 V	89.5	54.7	50.1	40.0	34.6	27.8	19.9	15.7	8.1	5.76	3.94	2.50	2.02	1.18
1.67 V	88.0	54.2	49.7	39.3	34.0	27.4	19.7	15.6	8.1	5.74	3.90	2.48	2.00	1.16
1.70 V	85.7	52.9	48.4	38.5	33.4	27.0	19.4	15.4	8.0	5.67	3.89	2.46	2.00	1.12
1.75 V	82.0	50.2	47.0	37.2	32.3	26.2	18.8	15.1	7.9	5.67	3.81	2.42	1.97	1.10
1.80 V	77.4	47.4	44.4	35.2	30.8	25.2	18.2	14.5	7.69	5.50	3.77	2.38	1.94	1.07

**Discharge Constant Power at 25°C (Watts/Cell)**

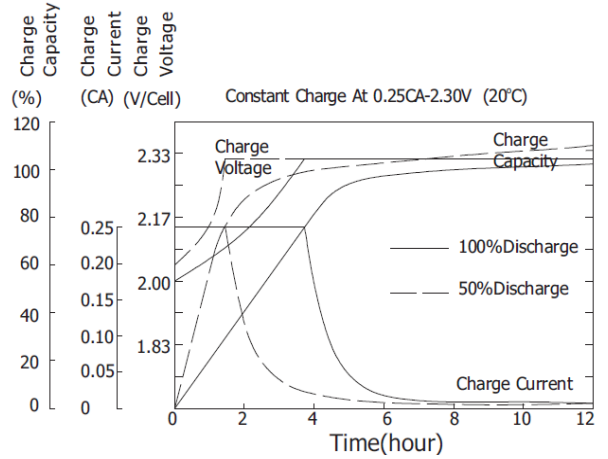
End Voltage (V/cell)	5min	10min	15min	20min	25min	30min	45min	1h	2h	3h	5h	8h	10h	20h
1.60 V	176	111	98.9	81.2	70.8	56.3	40.3	31.9	16.5	11.5	7.93	5.05	4.08	2.40
1.65 V	172	109	96.8	78.9	68.9	55.0	39.4	31.3	16.3	11.5	7.93	4.95	4.03	2.36
1.67 V	169	107	95.5	77.1	67.6	54.1	38.6	30.8	16.1	11.4	7.90	4.92	3.99	2.31
1.70 V	163	105	94.5	75.4	66.0	52.8	37.8	30.3	15.9	11.3	7.80	4.91	3.98	2.24
1.75 V	155	100	91.4	72.3	63.6	51.1	36.6	29.5	15.8	11.3	7.62	4.83	3.93	2.20
1.80 V	145	94.8	86.0	68.2	60.3	48.9	35.3	28.4	15.2	11.0	7.48	4.76	3.87	2.13

Note: The above characteristics data can be obtained within three charge/discharge cycles.

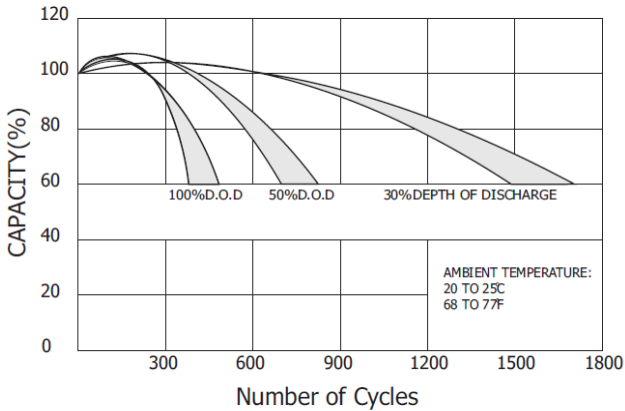
**Discharge Characteristics (20°C)**



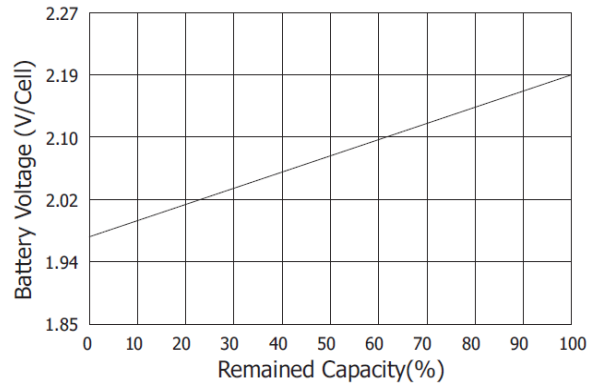
**Charging Characteristic (20°C)**



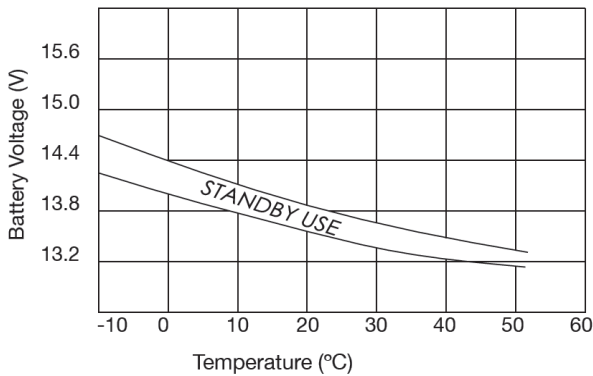
**Cycle Service Life in Relation to Depth of Discharge**



**Relationship Between OCV and Residual Capacity (20°C)**



**Relationship Between Charging Voltage and Temperature**



**Self Discharge Characteristics**

