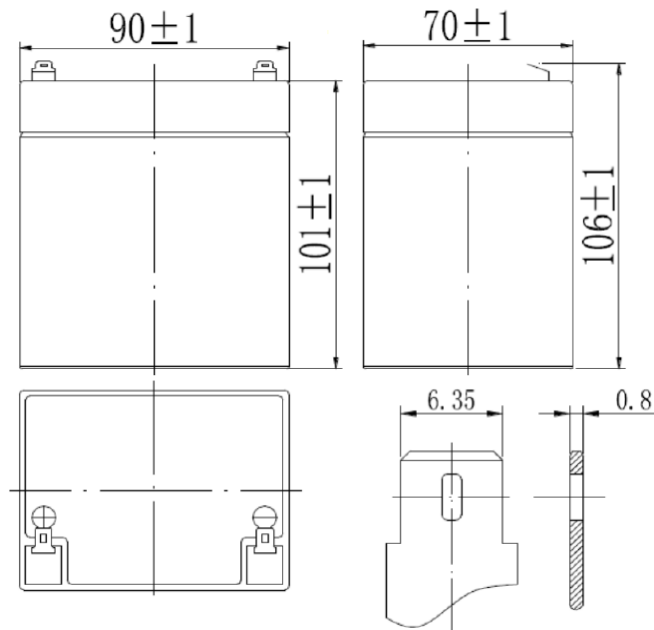


APPLICATIONS

- IT systems
- UPS
- Data centers
- Power generation plants and substations
- Telecommunication electrical equipments
- Switchboards
- Robots, control and other factory automation equipment
- Broadcasting systems
- Various telemeter equipments
- Signaling



SPECIFICATIONS

Nominal Voltage	12 V	
Number of cells	6	
Design Floating Life (20°C)	10 years	
Dimensions	Length	90 mm
	Width	70 mm
	Height	101 mm
	Total Height	106 mm
Weight	1.82 kg	
Watts (10 min @ 1.60 Vpc, 25°C)	35.6 W/Cell	
Watts (10 min @ 1.67 Vpc, 25°C)	33.6 W/Cell	
Capacity (10 hrs @ 1.80 Vpc, 25°C)	5.6 Ah	
Short Circuit Current	80 A	
Internal Resistance (fully charged, 25°C)	28 mOhm	
Self Discharge	approx. 3% per month at 20°C	
Nominal Operating Temperature	25°C	
Operating Temperature range	Discharge	-15°C to 45°C
	Charge	0°C to 40°C
	Storage	-15°C to 40°C
Float Charging Voltage	2.27 to 2.30 V/cell at 25°C	
Temperature compensation	-20mV/°C	
Maximum charging current	1.62 A	
Maximum discharge current (25°C)	50 A (5 sec.)	

PERFORMANCE DATA

Discharge Constant Current at 25°C (Amperes)

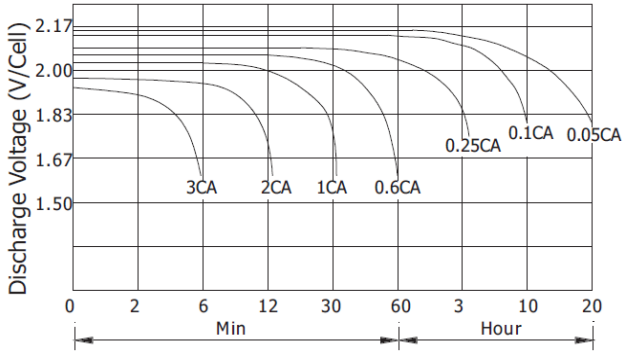
End Voltage (V/cell)	5min	10min	15min	20min	25min	30min	45min	1h	2h	3h	5h	8h	10h	20h
1.60 V	29.4	17.7	14.5	11.2	9.53	7.54	5.27	4.05	2.27	1.70	1.10	0.72	0.58	0.35
1.65 V	27.5	16.7	13.6	10.6	9.04	7.30	5.14	3.99	2.22	1.64	1.07	0.71	0.58	0.34
1.67 V	27.0	16.5	13.5	10.5	9.01	7.21	5.07	3.95	2.20	1.63	1.05	0.70	0.57	0.33
1.70 V	26.4	16.1	13.2	10.3	8.81	7.01	4.97	3.89	2.17	1.61	1.05	0.70	0.57	0.32
1.75 V	25.2	15.4	12.5	9.78	8.48	6.87	4.86	3.81	2.12	1.57	1.03	0.69	0.57	0.32
1.80 V	23.8	14.5	11.8	9.32	8.08	6.55	4.67	3.71	2.04	1.53	1.00	0.68	0.56	0.31

Discharge Constant Power at 25°C (Watts/Cell)

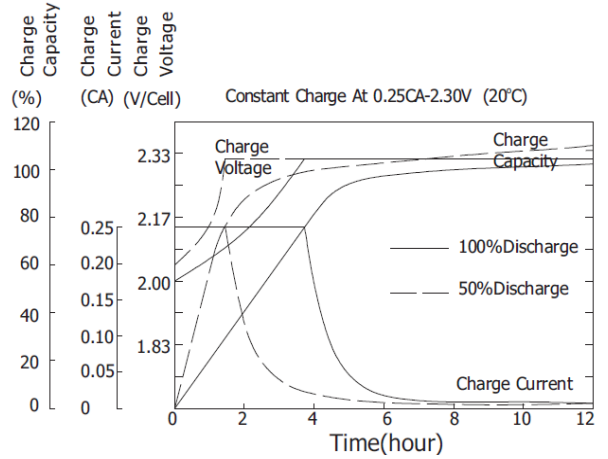
End Voltage (V/cell)	5min	10min	15min	20min	25min	30min	45min	1h	2h	3h	5h	8h	10h	20h
1.60 V	56.4	35.6	26.9	22.2	19.8	16.1	11.6	9.13	4.42	3.27	2.12	1.43	1.17	0.69
1.65 V	55.7	34.2	26.4	22.0	19.7	16.0	11.5	9.03	4.33	3.16	2.09	1.41	1.16	0.68
1.67 V	54.5	33.6	25.9	21.8	19.5	16.0	11.5	8.99	4.28	3.15	2.07	1.40	1.15	0.67
1.70 V	54.2	32.3	25.6	21.6	19.3	15.8	11.4	8.92	4.22	3.13	2.05	1.38	1.14	0.65
1.75 V	51.4	31.5	25.4	20.9	18.8	15.4	11.1	8.73	4.11	3.05	2.01	1.36	1.13	0.63
1.80 V	47.3	29.4	24.2	20.1	18.0	14.9	10.8	8.48	4.00	2.98	1.97	1.34	1.12	0.61

Note: The above characteristics data can be obtained within three charge/discharge cycles.

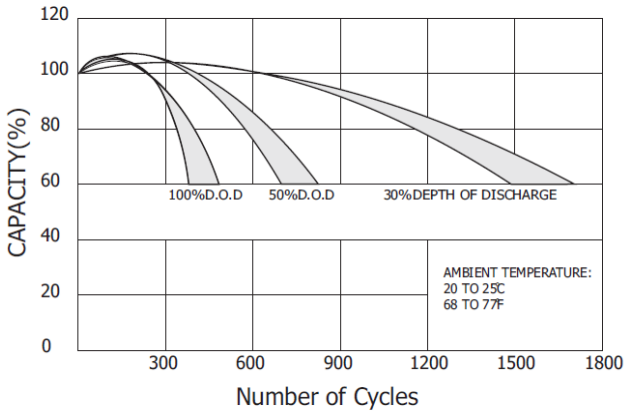
Discharge Characteristics (20°C)



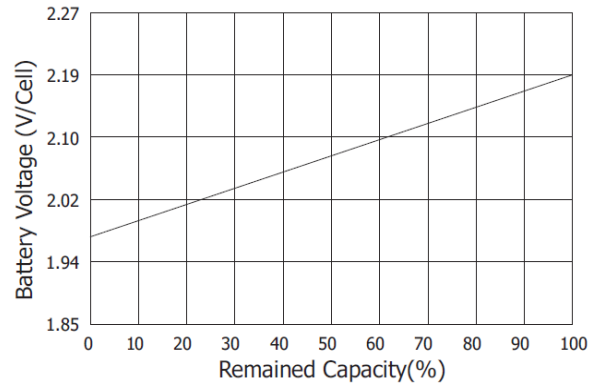
Charging Characteristic (20°C)



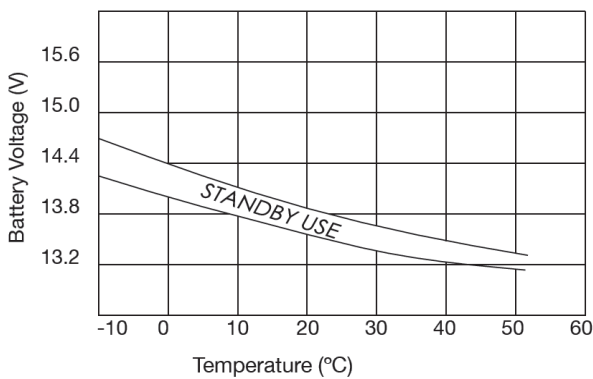
Cycle Service Life in Relation to Depth of Discharge



Relationship Between OCV and Residual Capacity (20°C)



Relationship Between Charging Voltage and Temperature



Self Discharge Characteristics

