

# WINNER APOLLO 100-12 (100 AH 12V)



## Specification

Cells Per Unit	6
Voltage Per Unit	12
Capacity	100Ah@10hr-rate to 1.75V per cell @25°C
Weight	Approx.30.0 Kg
Max. Discharge Current	1000A (5 sec)
Internal Resistance	Approx. 5mΩ
Operating Temperature Range	Discharge: -20°C~60°C Charge: 0°C~50°C Storage: -20°C~60°C
Normal Operating Temperature Range	25°C±5°C
Float charging Voltage	13.6 to 13.8 VDC/unit Average at 25°C
Recommended Maximum Charging Current Limit	30 A
Equalization and Cycle Service	14.6 to 14.8 VDC/unit Average at 25°C
Self Discharge	Apollo batteries can be stored for more than 6 months at 25°C. Self-discharge ratio less than 3% per month at 25°C. Please charge batteries before using.
Terminal	Terminal F5/F12
Container Material	A.B.S. (UL94-HB), Flammability resistance of UL94-V1 can be available upon request.

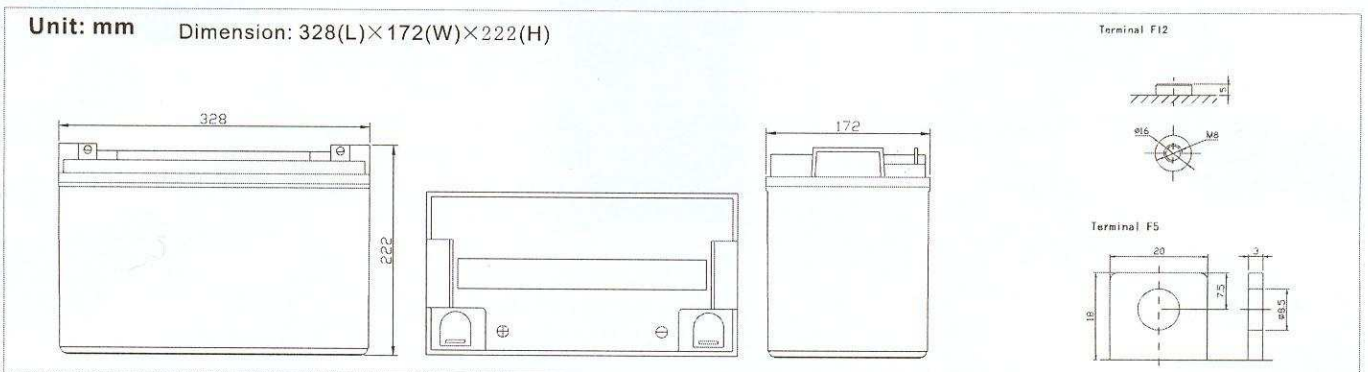
MH28539

CE

G4M20206-0910-E-1.6

ISO9001:2000 Certificate

## Dimensions



### Constant Current Discharge Characteristics: A (25°C)

F.V/Time	5MIN	10MIN	15MIN	30MIN	1HR	2HR	3HR	4HR	5HR	8HR	10HR	20HR
9.60V	349.44	257.28	187.20	115.00	65.000	36.309	26.100	21.600	17.680	12.422	10.503	5.5545
10.0V	339.34	244.80	183.36	113.10	64.700	36.036	26.000	21.500	17.576	12.321	10.402	5.4535
10.2V	329.28	236.16	180.48	112.10	64.100	35.763	25.800	21.400	17.472	12.220	10.301	5.3525
10.5V	295.68	217.92	171.84	109.30	63.500	35.490	25.700	21.200	17.264	12.119	10.200	5.2515
10.8V	266.88	198.72	158.40	104.50	62.000	34.853	25.000	20.700	16.952	11.917	10.099	5.1505
11.1V	232.32	177.60	142.08	97.900	58.900	33.306	23.900	19.700	16.224	11.412	9.7960	4.8475

### Constant Power Discharge Characteristics: W(25°C)

F.V/Time	5MIN	10MIN	15MIN	30MIN	1HR	2HR	3HR	4HR	5HR	8HR	10HR	20HR
9.6V	3664.9	2735.9	2014.4	1232.9	743.40	417.69	301.20	249.60	204.67	144.14	118.10	62.381
10.0V	3566.9	2613.1	1972.5	1217.5	739.80	416.05	300.60	249.00	203.42	143.54	116.89	61.775
10.2V	3459.6	2526.1	1945.7	1203.3	734.40	412.23	298.80	247.80	202.80	142.33	116.28	61.170
10.5V	3115.3	2334.1	1855.4	1175.9	727.20	408.41	297.00	246.00	200.93	141.11	115.07	60.564
10.8V	2802.3	2119.3	1704.7	1122.3	709.20	402.40	289.80	239.40	197.81	138.09	113.86	59.958
11.1V	2418.9	1882.1	1522.2	1051.7	672.00	383.84	275.40	228.00	187.82	133.24	110.23	57.536

All mentioned values are average values.