



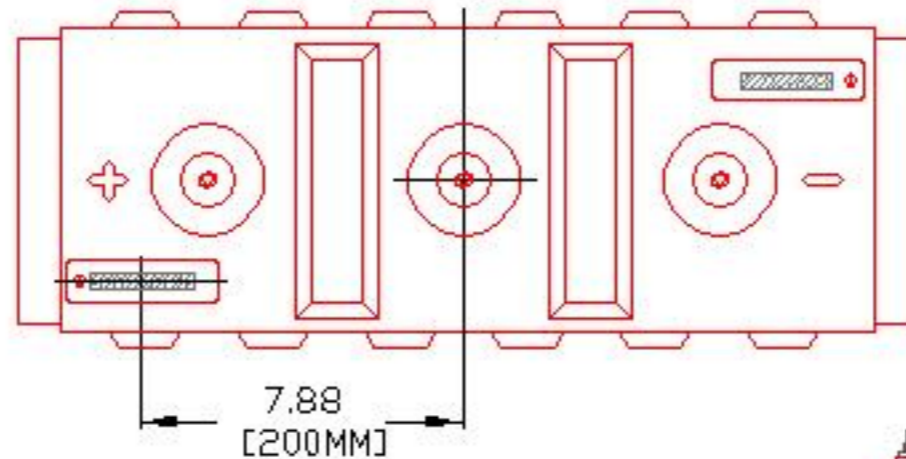
DEEP CYCLE-CAR LIGHTING

SERIES 5000

BATTERY TYPE	VOLTS	6	6 CS 17PR
DIMENSIONS			
LENGTH	559 MM	22	INCHES
WIDTH	210 MM	8 1/4	INCHES
HEIGHT	464 MM	18 1/4	INCHES
WEIGHT DRY	81 KG	178	LBS.
WEIGHT WET	100 KG	221	LBS.
CONTAINER CONSTRUCTION			
INNER CONTAINER	POLYPROPYLENE		
INNER COVER	POLYPROPYLENE - HEAT SEALED TO INNER CONTAINER		
OUTER CONTAINER	HIGH DENSITY POLYETHYLENE		
OUTER COVER	HIGH DENSITY POLYETHYLENE SNAP FIT TO OUTER CONTAINER		
HANDLES	MOLDED		
PLATES PER CELL	17		
ELECTROLYTE RESERVE	ABOVE PLATES	95 MM	3.75 INCHES
DESIGN CRITREA	10 YEAR WARRANTY	3300 CYCLES	15 YEAR LIFE
POSITIVE PLATE DIMENSION			
HEIGHT	273 MM	10.750	INCHES
WIDTH	143 MM	5.625	INCHES
THICKNESS	6.73 MM	0.265	INCHES
NEGATIVE PLATE DIMENSION			
HEIGHT	273 MM	10.750	INCHES
WIDTH	143 MM	5.625	INCHES
THICKNESS	4.70 MM	0.185	INCHES
SEPARATOR	SEPARATOR THICKNESS	0.105 INCH	
INSULATION	POSITVE PLATE ENVELOPED BY VERTICAL SLYVER GLASS MAT		
TERMINALS	FLAG WITH STAINLESS STEEL NUTS AND BOLTS		
COLD CRANK	CCA	0°F / -17.8°C	1357
	MCA	32°F / 0°C	1696
	RESERVE		1083
	MINUTES AT 25A		
CAPACITY	20 HR RATE	546	
			CAP / AH CURRENT / AMPS
CAPACITY AT THE 20 HOUR RATE	1.265 SP. GR.	546	27.3
CAPACITY AT THE 15 HOUR RATE	1.265 SP. GR.	519	34.6
CAPACITY AT THE 12 HOUR RATE	1.265 SP. GR.	491	41.0
CAPACITY AT THE 10 HOUR RATE	1.265 SP. GR.	470	47.0
CAPACITY AT THE 8 HOUR RATE	1.265 SP. GR.	448	56.0
CAPACITY AT THE 6 HOUR RATE	1.265 SP. GR.	410	68.3
CAPACITY AT THE 5 HOUR RATE	1.265 SP. GR.	388	78
CAPACITY AT THE 4 HOUR RATE	1.265 SP. GR.	360	90
CAPACITY AT THE 3 HOUR RATE	1.265 SP. GR.	328	109
CAPACITY AT THE 2 HOUR RATE	1.265 SP. GR.	284	142
CAPACITY AT THE 1 HOUR RATE	1.265 SP. GR.	197	197



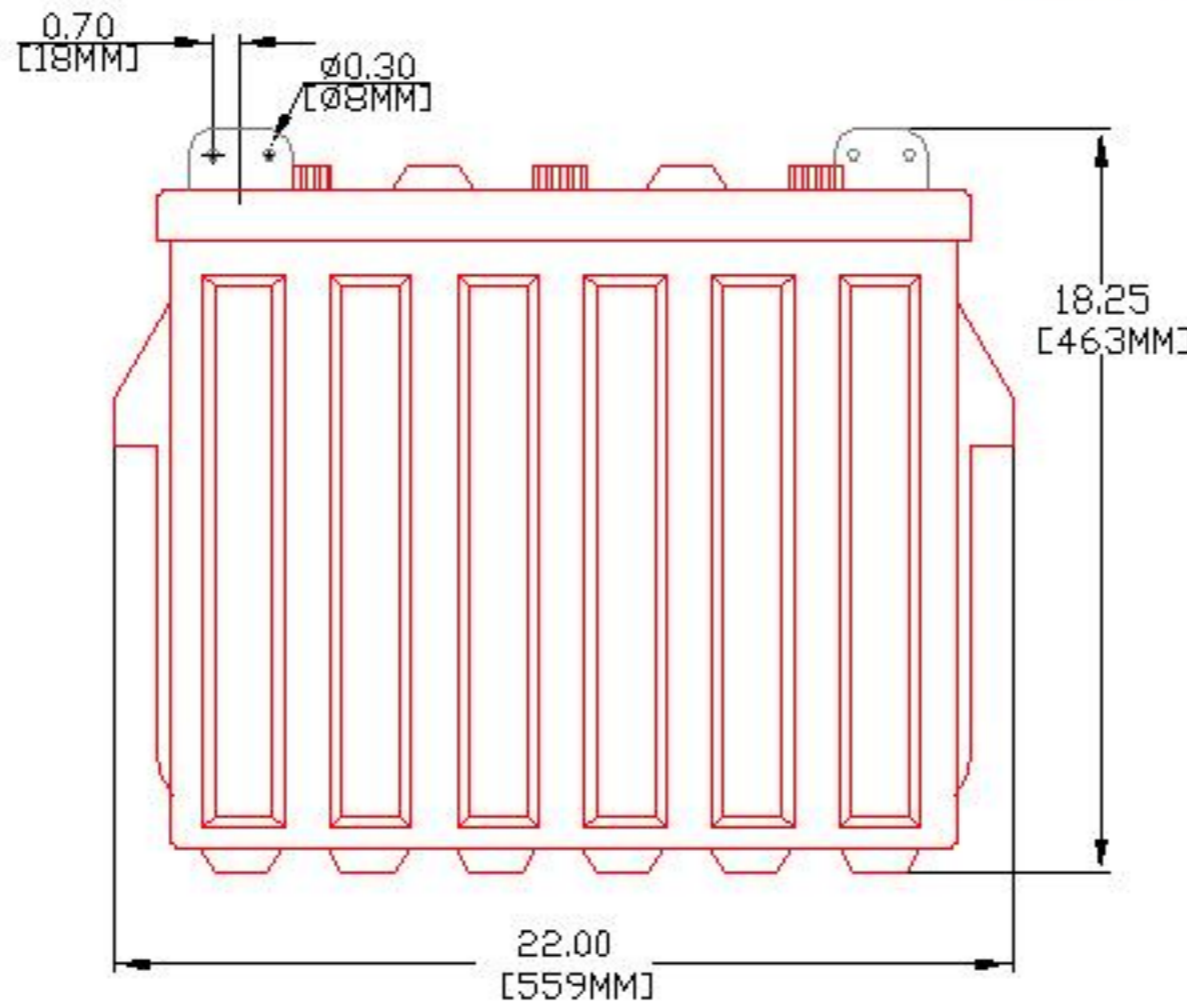
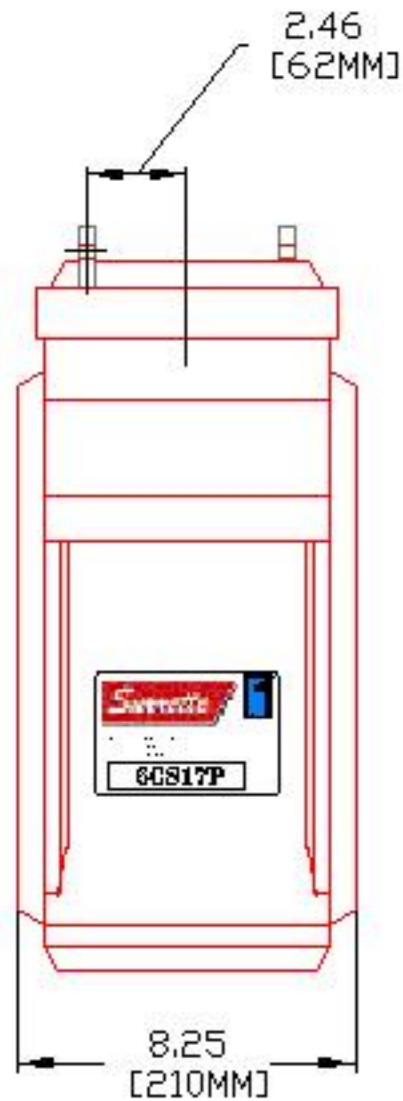
SURRETTE BATTERY CO. LTD.



PART NUMBER: 6-CS-17P
 WEIGHT WET: 221 LB / 100 KG
 WEIGHT DRY: 178 LB / 81 KG
 CAPACITY: 546 AH 20 HR
 770 AH 100 HR
 VOLTAGE: 6 V
 OVERALL DIMENSIONS: 22X8 1/4X18 1/4"



MAX HEIGHT WITH OPTIONAL HYDROCAPS 18 5/8" - 473 MM



BATTERY COMPANY LIMITED SPRINGHILL / NOVA SCOTIA / CANADA PRODUCT OF CANADA	
TITLE:	6CS17P
DESCRIPTION:	6V / 3 CELL 17 PLATE (CS) DEEP CYCLE 500/5000 SERIES
CONTACT INFO:	WEB: WWW.SURRETTE.COM E-MAIL: SALES@SURRETTE.COM PHONE: 1-800-681-9914
SCALE:	1" = 6" 1" = 4" JPEG 8.5" X 11" 11" X 17" NOT TO SCALE
Drawn by:	Approved By:
S. WILES	D. SURRETTE
DATE: 14-JUN-00	REVISION 2.1
DRAWING NO: DWG 005, BD6CS17P	